

Standard Range

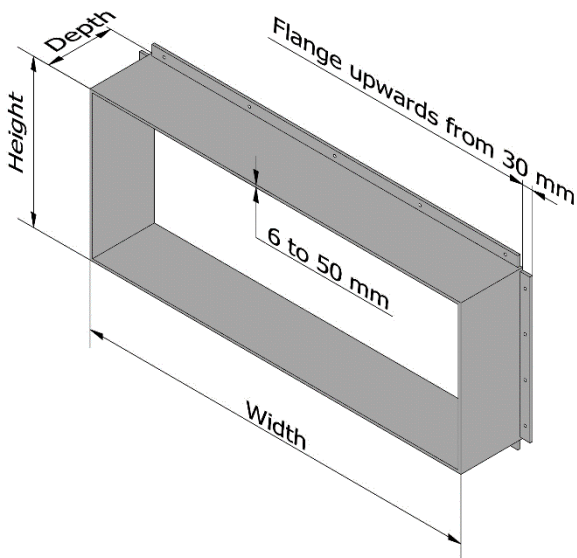
- Material: Aluminium Sheet Metal
- Thickness: 6 to 50 mm
- Width, Height, Depth: Custom made to order
- Flange: upwards from 30 mm
- Standard 3° Fall
- Powder Coat Finish

Optional Designs

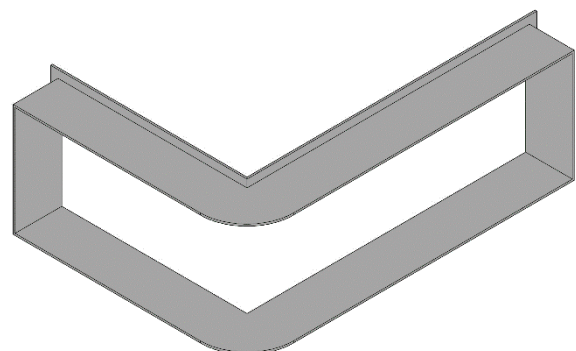
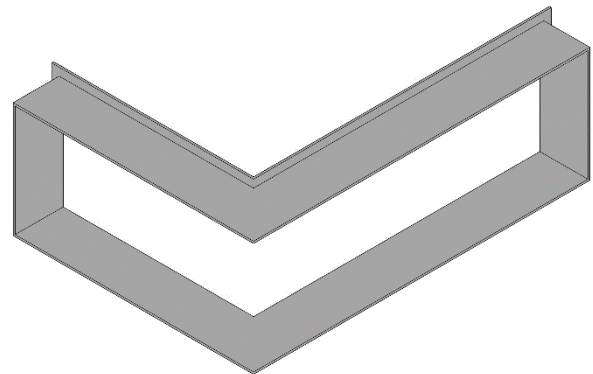
- Modular Layout for easy shipment and installation
- Aluminium Hollow Section
- Top Awning only
- 3-Sided Shrouds
- Tapered Shrouds
- Custom Shapes



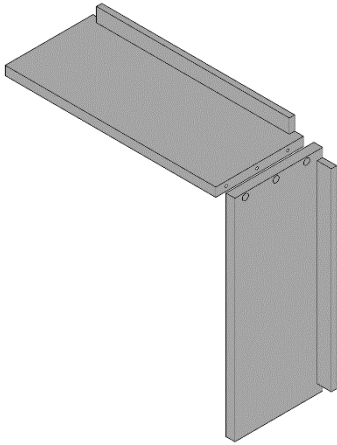
Standard Rectangular Windows



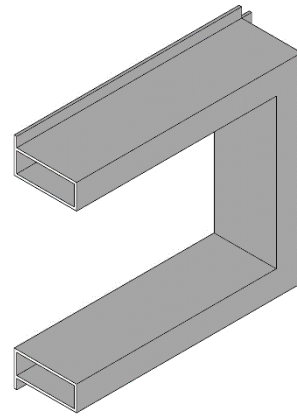
Corner Windows



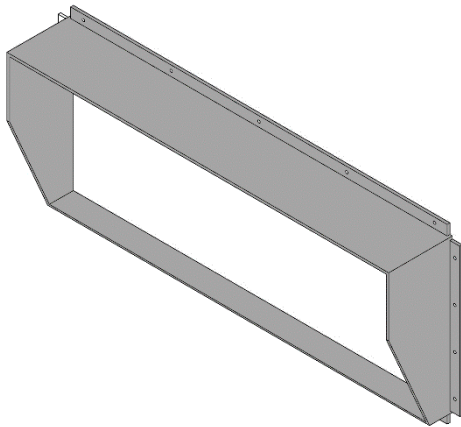
Modular Design



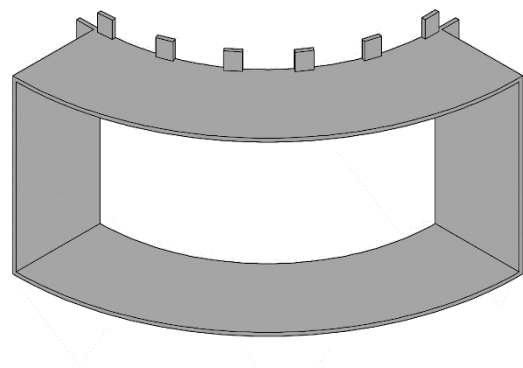
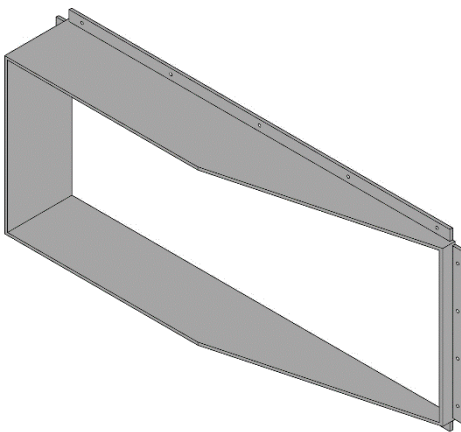
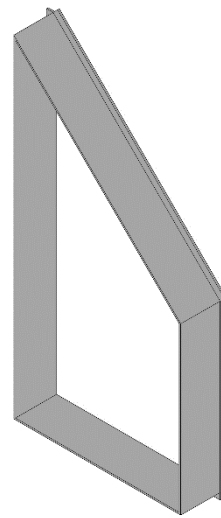
Aluminium Hollow Section



Tapered Shrouds



Custom Shapes



How to order:

All window shrouds are custom-made. Place your order by emailing the required design and dimensions to sales@westberg.com.au.